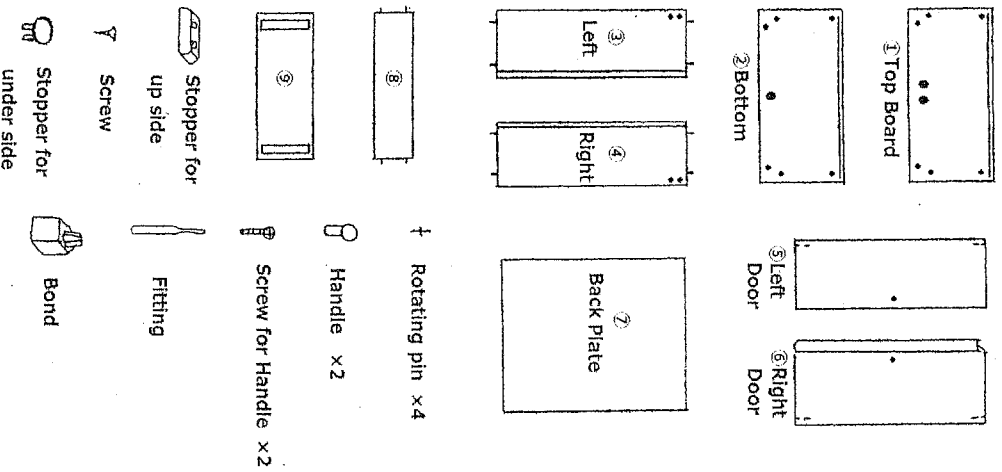
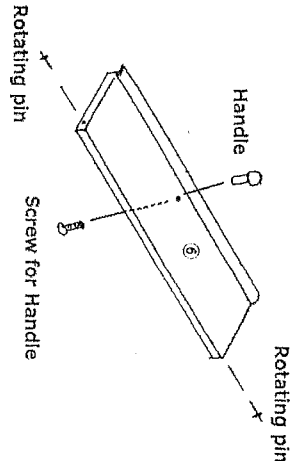
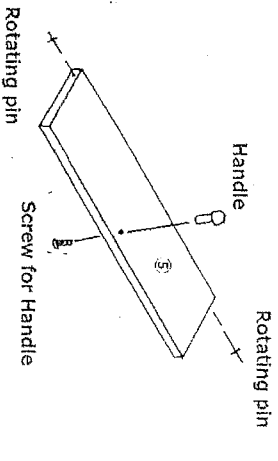
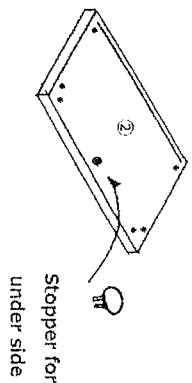
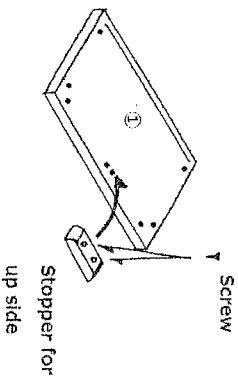


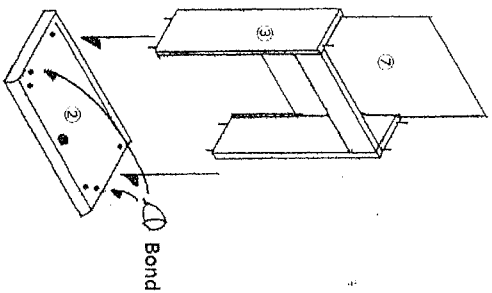
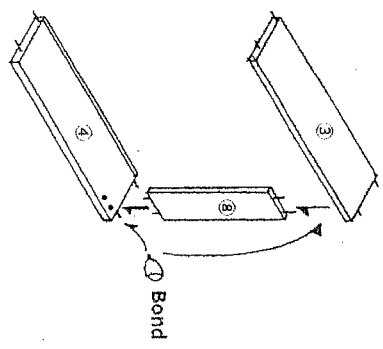
Assembly Butsudan



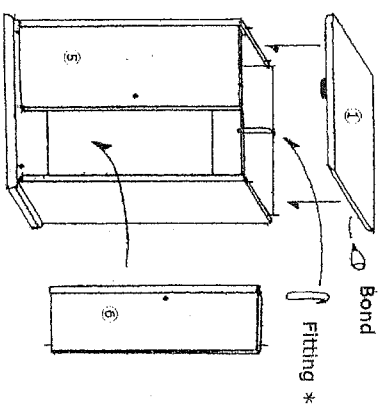
I



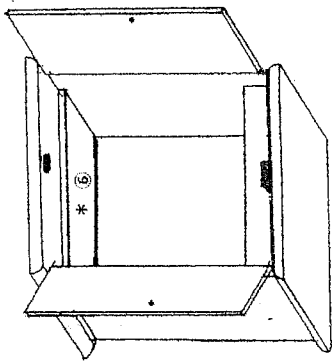
II



III



* Bend Fitting as picture.



* Turn the double side tape before attaching